

# Making it all about the food - and your profits

Multi Deck Display 60 - 4 levels

Self-serve, for packaged hot food



With full focus on the food, the best hot holding conditions in the industry and up to 50% less energy consumption than competitor units, Fri-Jado's Multi Deck Display (MDD) is the ideal solution to boost your profit from packaged grab-and-go products.

The combination of its transparent design and ultra-thin shelves with LED lighting really puts your food in the spotlights, stimulating impulse buying. Combined with conduction heat, patented hot airflow recirculation per shelf keeps your products warm and safe for longer (less waste!), while minimizing energy consumption. This results in substantial cost savings and a lower impact on the environment.

The Multi Temp model allows you to set temperatures individually for each shelf, in order to fine-tune the holding conditions for hot products from different food groups.

More MDD benefits on [frijado.com](http://frijado.com)



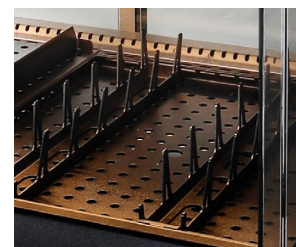
Ultimate product visibility - transparent design, thin shelves, no distraction.



Keeps food hot from all sides - Fri-Jado's patented Hot Blanket technology.



Food (literally) in the spotlights - LED lighting above each shelf.



Wide range of accessories available.

## Features MDD 60 - 4 Self-serve heated display cabinet

### Top features

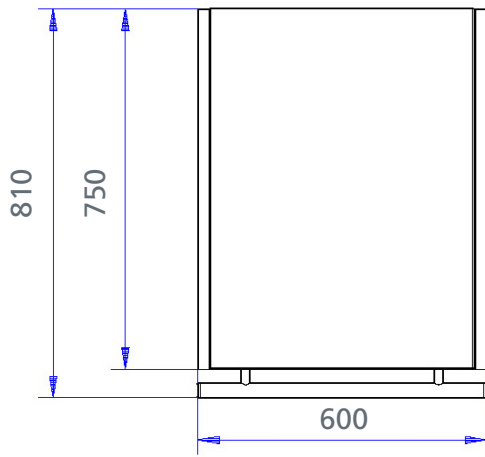
- Maximum transparency & ultra-thin shelves - full focus on the food, presentation without distraction
- LED lighting above each shelf - puts your food in the spotlights
- Patented Hot Blanket technology, cocooning your products - keeps your food safe & delicious for up to 4 hours
- Minimal energy consumption: up to 50% less than competitor models. Low TCO and better for the environment.
- More space between shelves: safe & easy access into the unit
- Simple operation by means of a single on/off switch (within reach) for both heating and shelf lighting
- Multi Temp model offering easy to change settings **per shelf** - temperature between 40° and 70° C, heating off, lights off
- Easy store integration thanks to transparent and square design
- Endless possibilities, for hot food from all food groups

### Standard characteristics

- Self-serve heated display for packaged hot food
- 60 cm wide - 4 levels
- Total shelf display area of 0.99 m<sup>2</sup>
- Footprint of 0.45 m<sup>2</sup>
- Solid back or pass-through (backloading model)
- Adjustable shelf angle to further improve product visibility
- Double pane glass on both sides, top and back insulation
- Front bumper to protect against damage from shopping carts
- Castors - for easy moving

### Options & Accessories

- Front door set
- Price rail set
- Levelling legs
- Shelf insert trays
- Shelf dividers
- Merchandising racks
- Condiment holder



## MDD 60 - 4

1 Power cable, 2.5 m

### Dimensions

Width	600 mm
Depth	750 mm
Height	1723 mm

### Technical data

Net weight	190 kg
Voltage	1N~ 230 V
Frequency	50/60 Hz
Power	3.0 kW

### Models & article numbers

Solid back	9399024
Pass through	9399034
Solid back Multi Temp	9399004
Pass through Multi Temp	9399014

Specifications and technical data are subject to amendment without notice.

These are basic drawings. For more detailed technical information, please refer to the installation manual at [www.frijado.com](http://www.frijado.com).

Patent number: EP2309897

